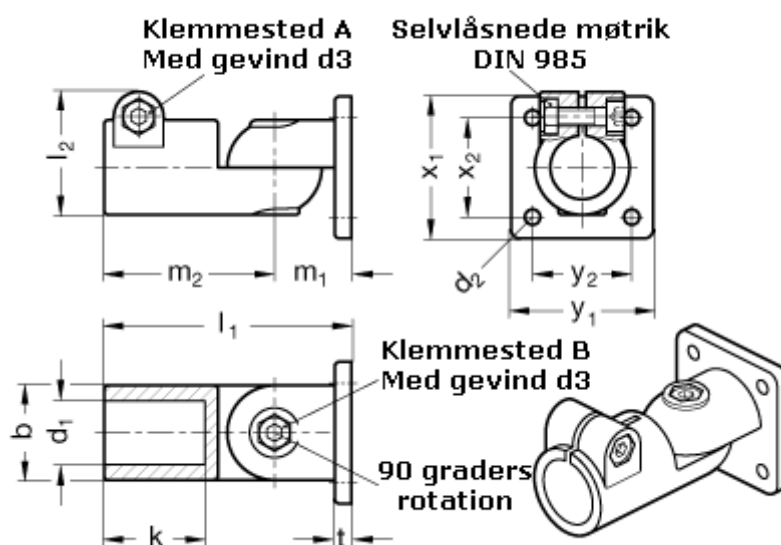


Article number: 20282B25S2SW

Description: E+G Swivel clamp connector joint  
GN 282-B25-S-2-SW

## Measures



b = 40	m2 = 72
d1 = B25	t = 7
d2 = 6.5	x1 = 60
d3 = M 8	x2 = 42
k = 42.5	y1 = 60
l1 = 104.5	y2 = 42
l2 = 52.0	
m1 = 32.5	